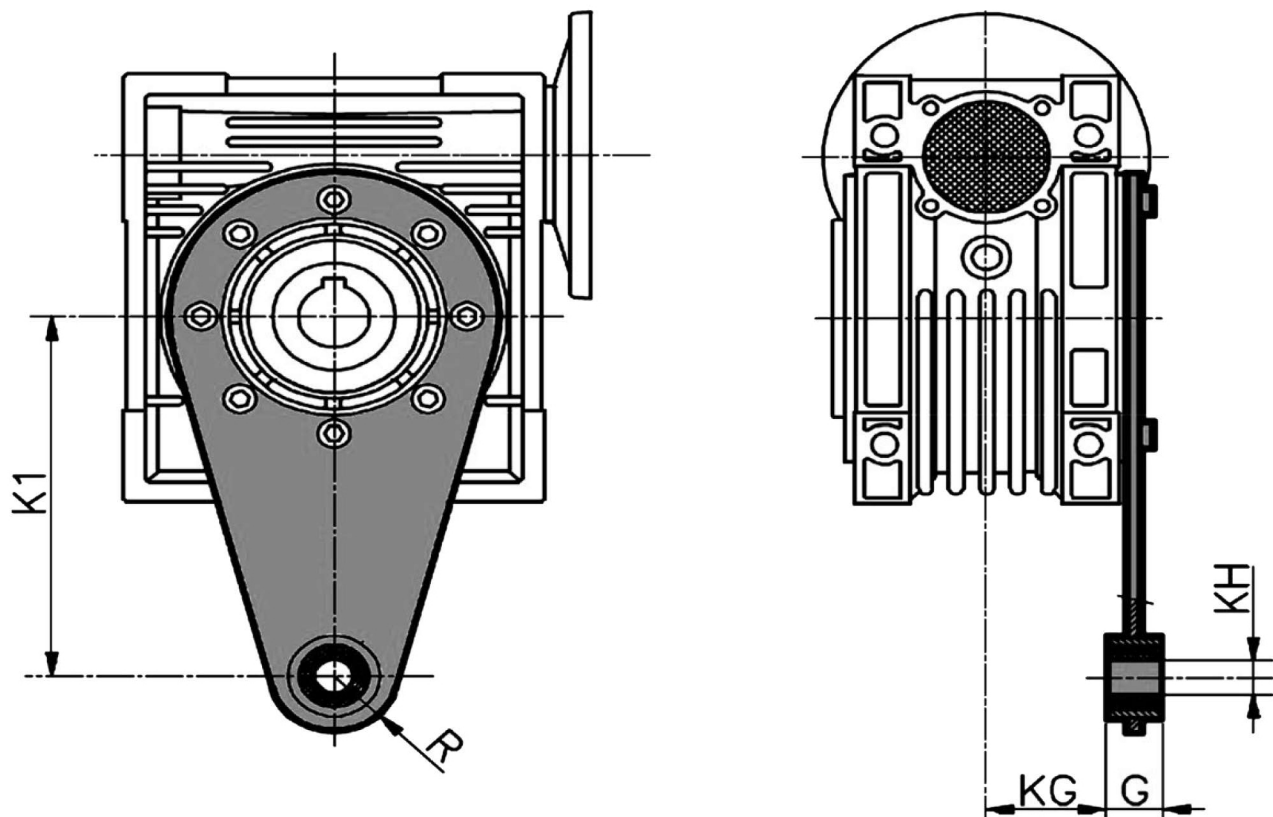


MaxMotion



Customer is responsible in determining that MEP product will fit/perform suitably in the intended application				Version: 2HAN	Revised:11-04-2025	MRS75-ARM
SIZE	K1	G	KG	KH	R	
75	7.87	0.9843	1.81	0.79	1.18	