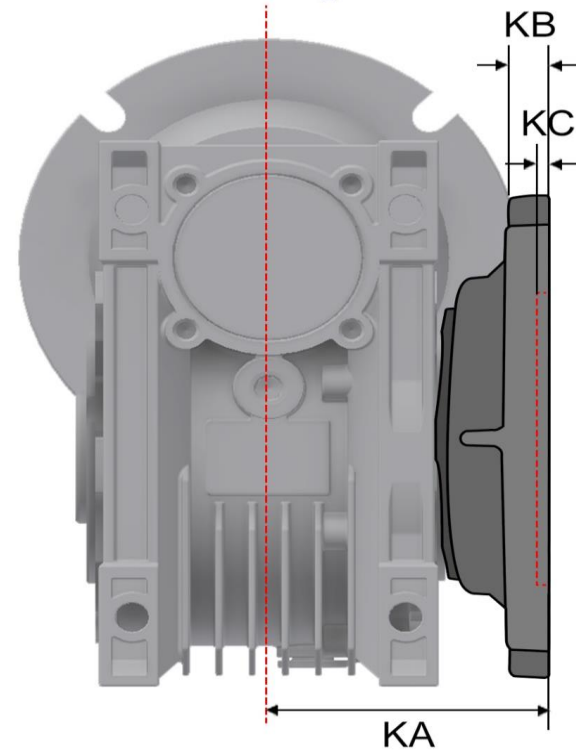
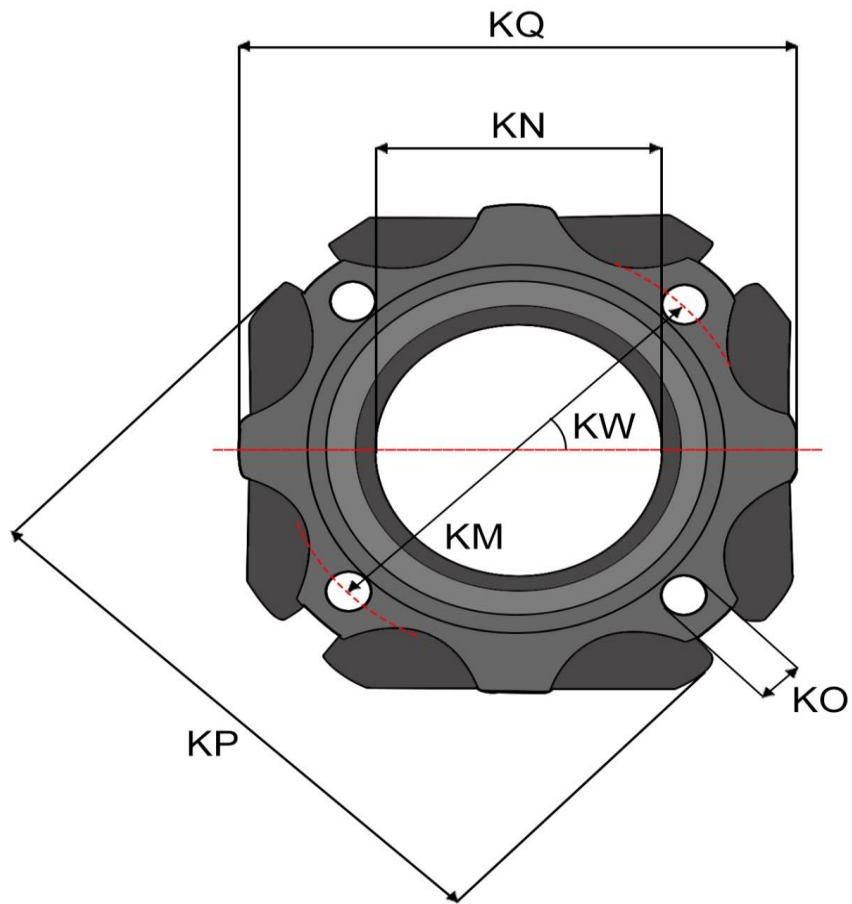


MaxMotion



Customer is responsible in determining that MEP product will fit/perform suitably in the intended application

Version: 2HAN

Revised: 2025-05-14

SIZE	KA	KB	KC	KN	KM	KO	KP	KQ	KW	MMR90-FLANGE
90	4.37	0.5118	0.2362	5.98	6.89	14(n°4)	8.26	7.87	45°	